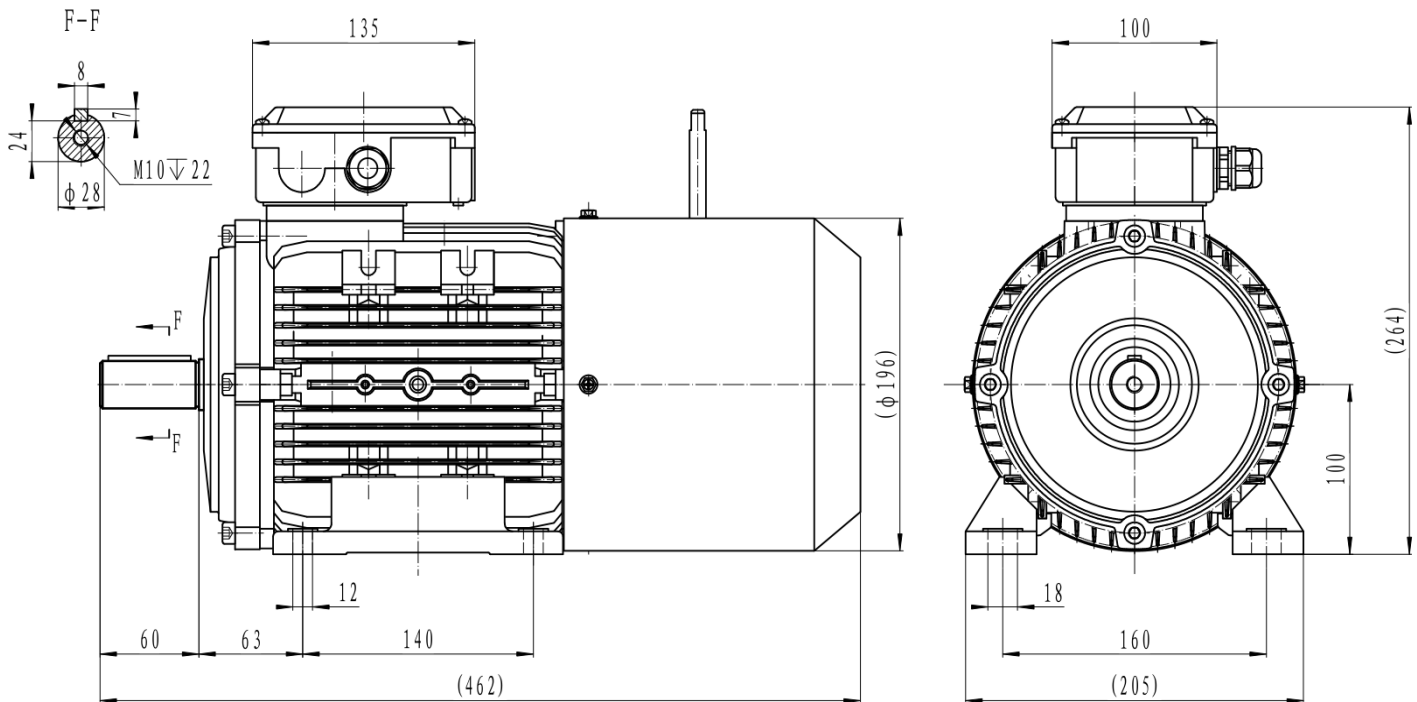


Three Phase Brake Motors-Aluminum Frame - PM1ADC100L6 B3



Type	PM1ADC100L6 PTC
Frame Size	100
Capacity	1.5kW
Speed / Pole	945 RPM / 6 Pole
Mounting Position	IMB3
Insulation Class	F
Protection Class	IP55
Duty Cycle	S1 Continuous
Temperature Rise Class	B
Ambient temp. (°C)	40°C
Cooling method	IC411 self-Ventilated
Power Factor COS (phi)	75.00%
I-starting / I-nominal	6

Efficiency	IE1 Efficiency
T-starting / T-nominal	2
T-max/Tn	2
Full Load Torque	15.16Nm
Thermal protection	PTC thermistor
Noise	71 dB
Bearing DE	SKF 6206 ZZC3
Bearing NDE	SKF 6206 ZZC3
Weight (kg)	27.5
Brake	INTORQ BFK457-12
Brake input voltage	230V AC
Brake output voltage	103V DC
Brake torque	32Nm

Electrical data:

Rated Power (kW)	1.5		1.5		1.8		1.8	
Frequency (Hz)	50		50		60		60	
Voltage (V)	220	380	230	400	250	440	265	460
Speed (RPM)	945	945	945	945	1134	1134	1134	1134
Connection	△	Y	△	Y	△	Y	△	Y
Full load current (A)	6.91	4	6.61	3.8	6.91	4	6.61	3.8