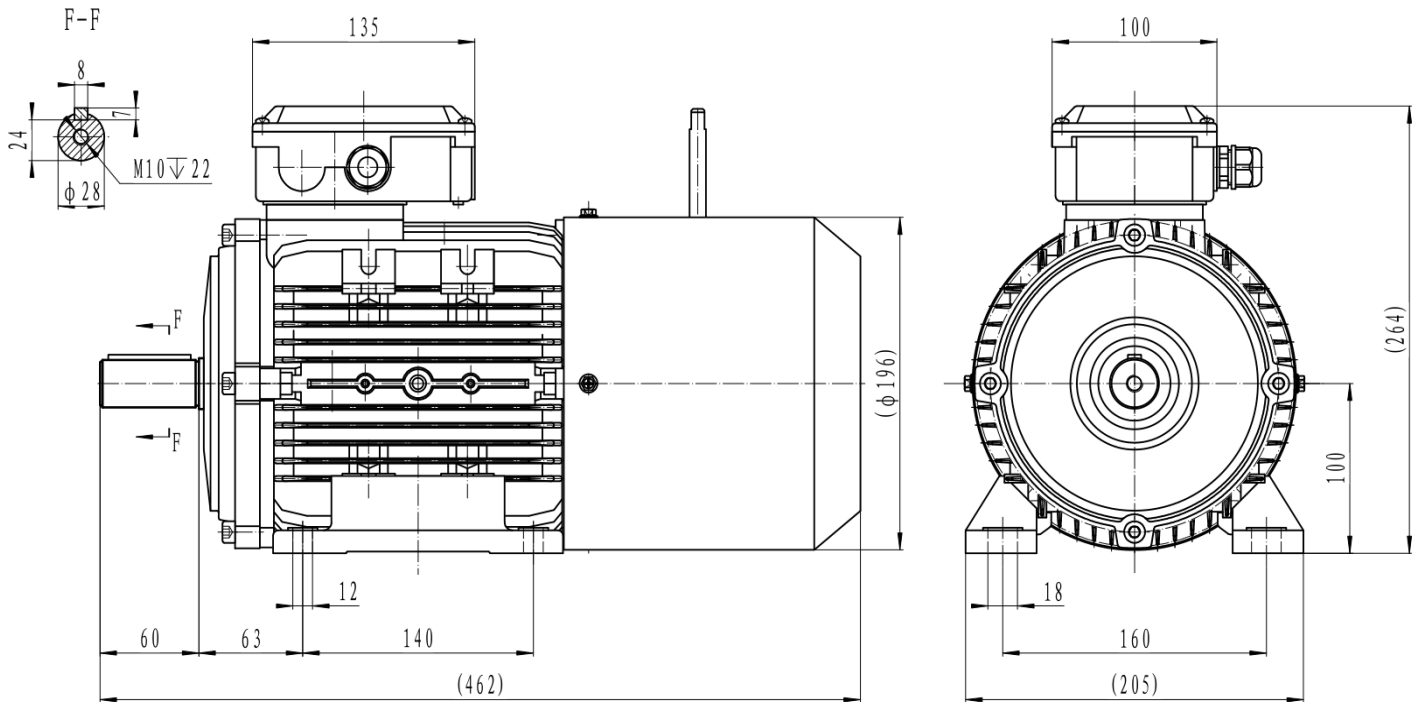


Three Phase Brake Motors-Aluminum Frame - PM1ADC100LA2 B3



Type	PM1ADC100LA2 PTC
Frame Size	100
Capacity	4kW
Speed / Pole	2880 RPM / 2 Pole
Mounting Position	IMB3
Insulation Class	F
Protection Class	IP55
Duty Cycle	S1 Continuous
Temperature Rise Class	B
Ambient temp. (°C)	40°C
Cooling method	IC411 self-Ventilated
Power Factor COS (phi)	88.00%
I-starting / I-nominal	7

Efficiency	IE1 Efficiency
T-starting / T-nominal	2.5
T-max/Tn	2.7
Full Load Torque	13.26Nm
Thermal protection	PTC thermistor
Noise	85 dB
Bearing DE	SKF 6206 ZZC3
Bearing NDE	SKF 6206 ZZC3
Weight (kg)	33.5
Brake	INTORQ BFK457-12
Brake input voltage	400V AC
Brake output voltage	180V DC
Brake torque	32Nm

Electrical data:

Rated Power (kW)	4		4		4.8		4.8	
Frequency (Hz)	50		50		60		60	
Voltage (V)	380	660	400	690	440	480	830	
Speed (RPM)	2880	2880	2880	2880	3456	3456	3456	
Connection	Δ	Y	Δ	Y	Δ	Δ	Y	
Full load current (A)	8.13	4.68	7.72	4.47	8.13	7.44	4.29	