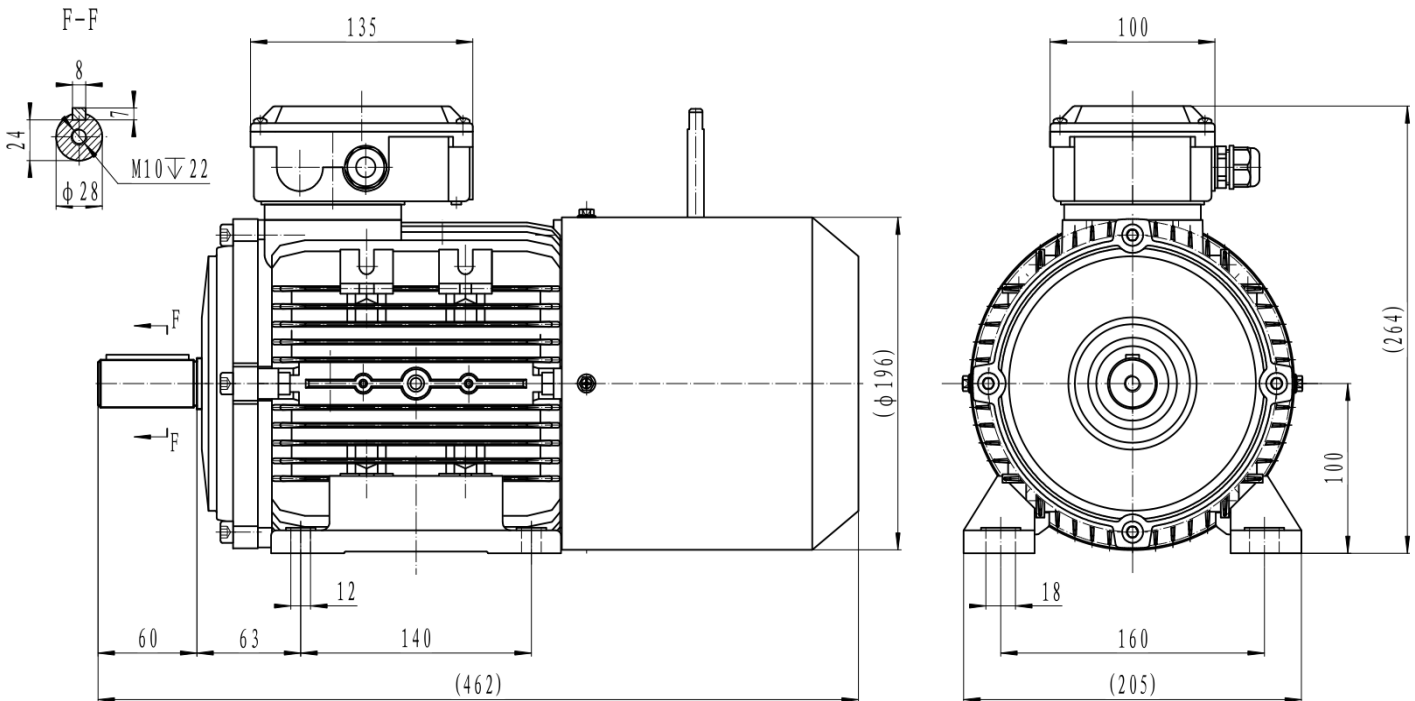


## Three Phase Brake Motors-Aluminum Frame - PM1ADC100LB4 B3



Type	PM1ADC100LB4 PTC
Frame Size	100
Capacity	3kW
Speed / Pole	1430 RPM / 4 Pole
Mounting Position	IMB3
Insulation Class	F
Protection Class	IP55
Duty Cycle	S1 Continuous
Temperature Rise Class	B
Ambient temp. (°C)	40°C
Cooling method	IC411 self-Ventilated
Power Factor COS (phi)	82.00%
I-starting / I-nominal	7

Efficiency	IE1 Efficiency
T-starting / T-nominal	2.2
T-max/Tn	2.4
Full Load Torque	14.69Nm
Thermal protection	PTC thermistor
Noise	76 dB
Bearing DE	SKF 6206 ZZC3
Bearing NDE	SKF 6206 ZZC3
Weight (kg)	31.5
Brake	INTORQ BFK457-12
Brake input voltage	230V AC
Brake output voltage	103V DC
Brake torque	32Nm

### Electrical data:

Rated Power (kW)	3		3		3.6		3.6	
Frequency (Hz)	50		50		60		60	
Voltage (V)	220	380	230	400	250	440	265	460
Speed (RPM)	1430	1430	1430	1430	1716	1716	1716	1716
Connection	△	Y	△	Y	△	Y	△	Y
Full load current (A)	11.71	6.78	11.2	6.44	11.71	6.78	11.2	6.44