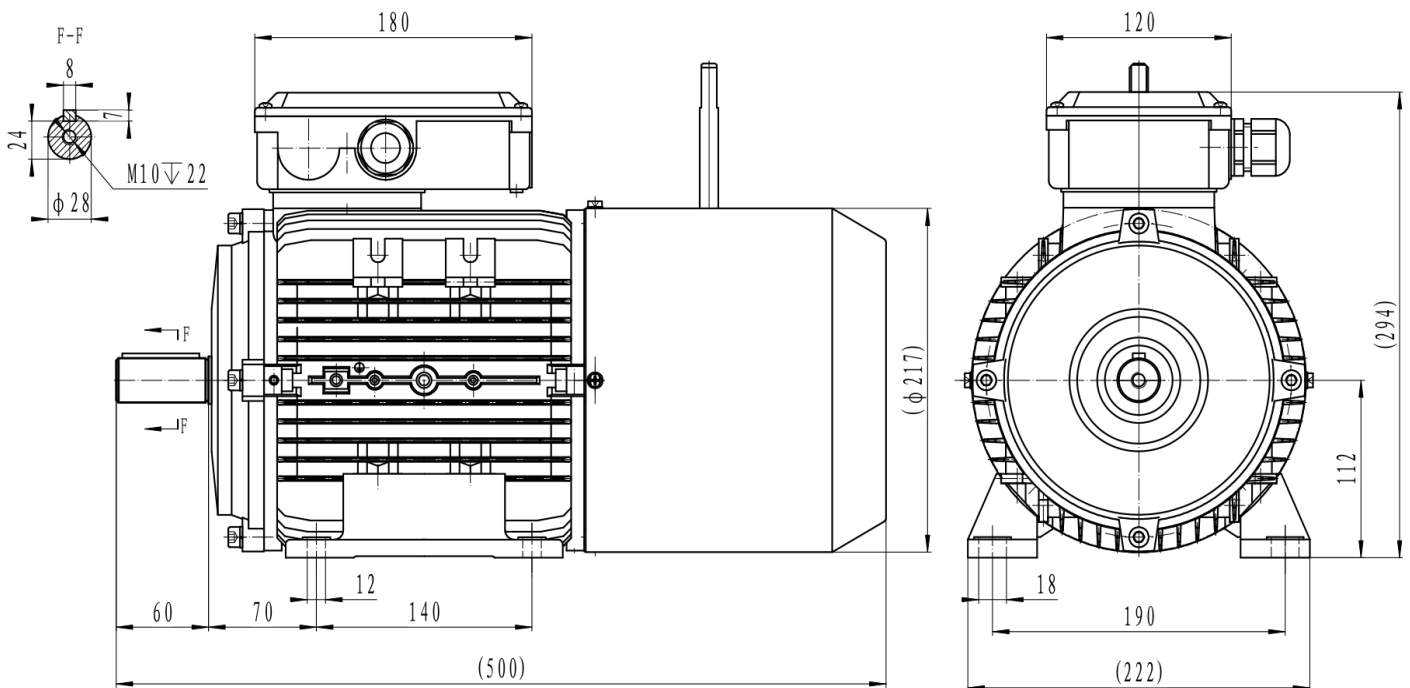


### Three Phase Brake Motors-Aluminum Frame - PM1ADC112M2 B3



Type	<b>PM1ADC112M2 PTC</b>
Frame Size	<b>112</b>
Capacity	<b>4kW</b>
Speed / Pole	<b>2890 RPM / 2 Pole</b>
Mounting Position	<b>IMB3</b>
Insulation Class	<b>F</b>
Protection Class	<b>IP55</b>
Duty Cycle	<b>S1 Continuous</b>
Temperature Rise Class	<b>B</b>
Ambient temp. (°C)	<b>40°C</b>
Cooling method	<b>IC411 self-Ventilated</b>
Power Factor COS (phi)	<b>88.00%</b>
I-starting / I-nominal	<b>7</b>

Efficiency	<b>IE1 Efficiency</b>
T-starting / T-nominal	<b>2.5</b>
T-max/Tn	<b>2.7</b>
Full Load Torque	<b>13.22Nm</b>
Thermal protection	<b>PTC thermistor</b>
Noise	<b>85 dB</b>
Bearing DE	<b>SKF 6306 ZZC3</b>
Bearing NDE	<b>SKF 6306 ZZC3</b>
Weight (kg)	<b>37.5</b>
Brake	<b>INTORQ BFK457-14</b>
Brake input voltage	<b>400V AC</b>
Brake output voltage	<b>180V DC</b>
Brake torque	<b>60Nm</b>

#### Electrical data:

Rated Power (kW)	4		4		4.8		4.8	
Frequency (Hz)	50		50		60		60	
Voltage (V)	380	660	400	690	440	480	830	
Speed (RPM)	2890	2890	2890	2890	3468	3468	3468	
Connection	△	Y	△	Y	△	△	Y	
Full load current (A)	8.13	4.68	7.72	4.47	8.13	7.44	4.29	