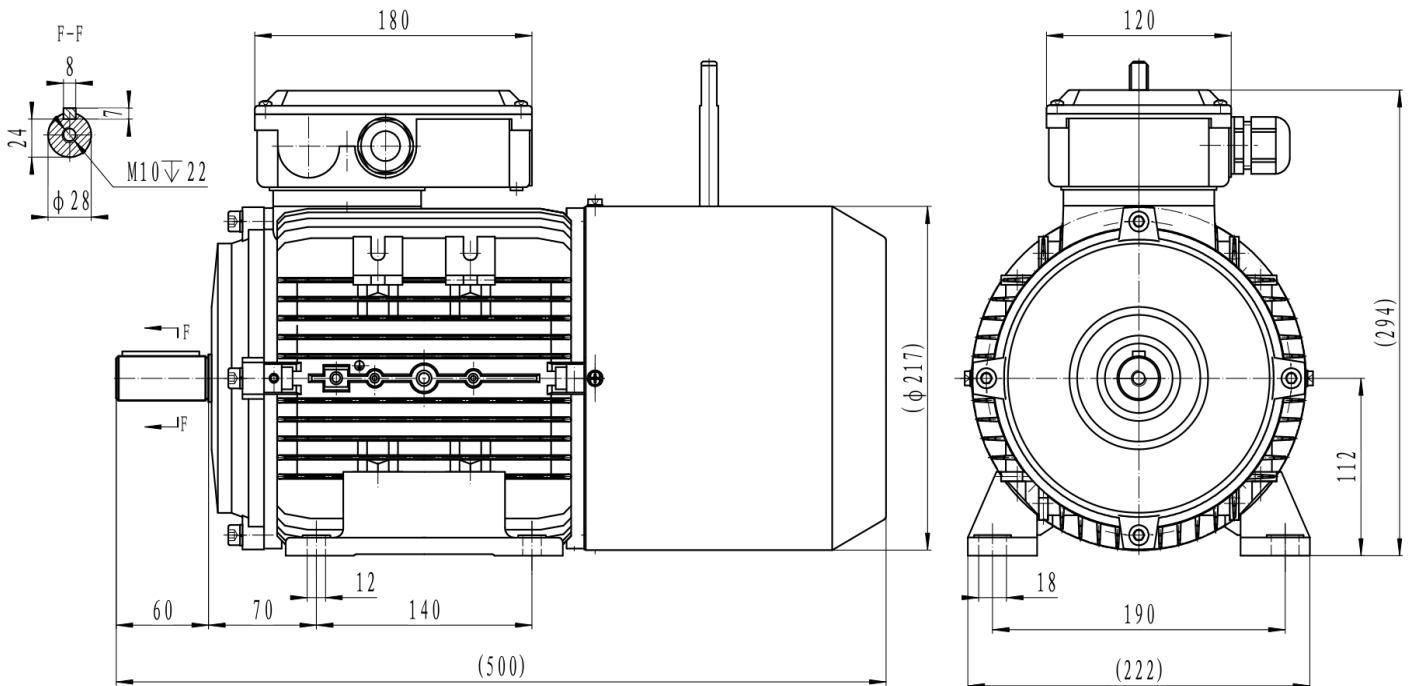


Three Phase Brake Motors-Aluminum Frame - PM1ADC112M4 B3



Type	PM1ADC112M4 PTC
Frame Size	112
Capacity	4kW
Speed / Pole	1430 RPM / 4 Pole
Mounting Position	IMB3
Insulation Class	F
Protection Class	IP55
Duty Cycle	S1 Continuous
Temperature Rise Class	B
Ambient temp. (°C)	40°C
Cooling method	IC411 self-Ventilated
Power Factor COS (phi)	82.00%
I-starting / I-nominal	7

Efficiency	IE1 Efficiency
T-starting / T-nominal	2.2
T-max/Tn	2.4
Full Load Torque	26.71Nm
Thermal protection	PTC thermistor
Noise	76 dB
Bearing DE	SKF 6306 ZXC3
Bearing NDE	SKF 6306 ZXC3
Weight (kg)	41
Brake	INTORQ BFK457-14
Brake input voltage	400V AC
Brake output voltage	180V DC
Brake torque	60Nm

Electrical data:

Rated Power (kW)	4		4		4.8		4.8	
Frequency (Hz)	50		50		60		60	
Voltage (V)	380	660	400	690	440	480	830	
Speed (RPM)	1430	1430	1430	1430	1716	1716	1716	
Connection	△	Y	△	Y	△	△	Y	
Full load current (A)	8.82	5.08	8.38	4.86	8.82	8.08	4.66	