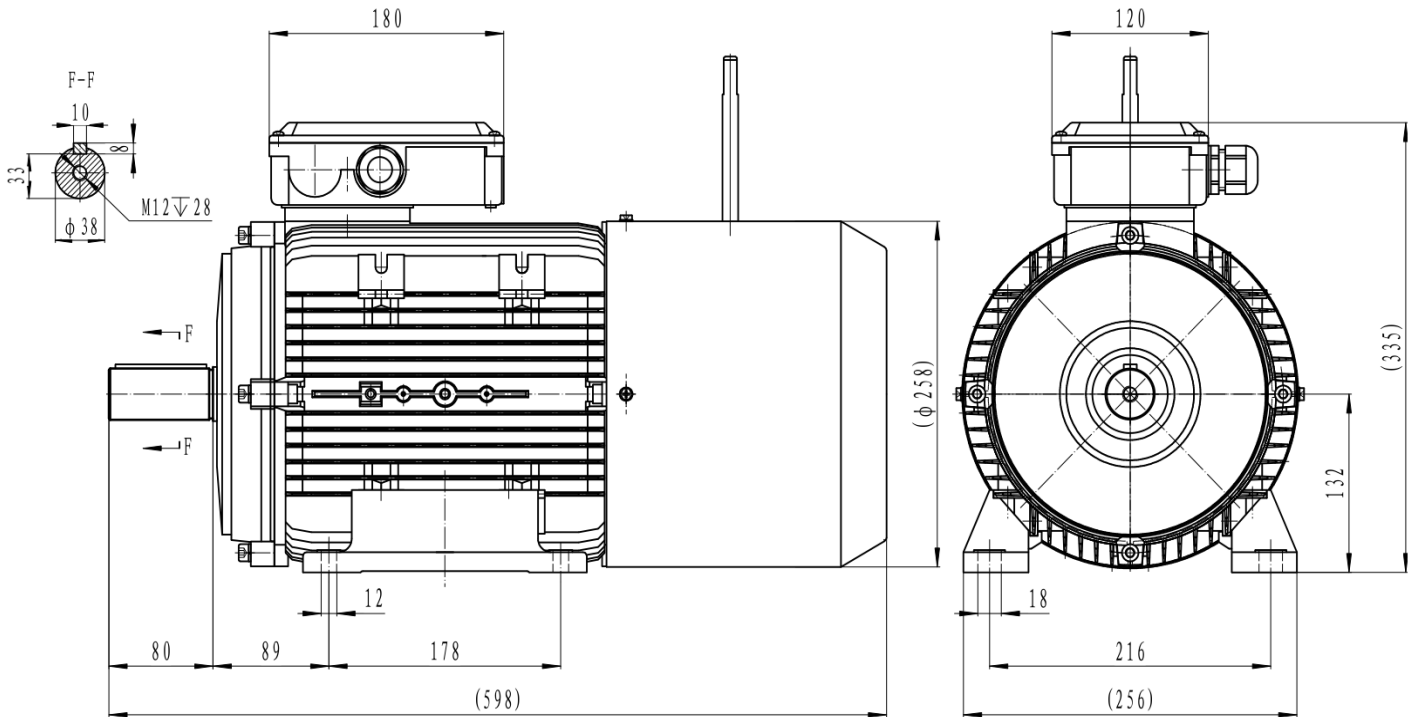


Three Phase Brake Motors-Aluminum Frame - PM1ADC132LA4 B3



Type	PM1ADC132LA4 PTC
Frame Size	132
Capacity	11kW
Speed / Pole	1460 RPM / 4 Pole
Mounting Position	IMB3
Insulation Class	F
Protection Class	IP55
Duty Cycle	S1 Continuous
Temperature Rise Class	B
Ambient temp. (°C)	40°C
Cooling method	IC411 self-Ventilated
Power Factor COS (phi)	85.00%
I-starting / I-nominal	7

Efficiency	IE1 Efficiency
T-starting / T-nominal	2.2
T-max/Tn	2.4
Full Load Torque	71.95Nm
Thermal protection	PTC thermistor
Noise	81 dB
Bearing DE	SKF 6308 ZXC3
Bearing NDE	SKF 6308 ZXC3
Weight (kg)	81
Brake	INTORQ BFK457-16
Brake input voltage	400V AC
Brake output voltage	180V DC
Brake torque	80Nm

Electrical data:

Rated Power (kW)	11	11	13	13			
Frequency (Hz)	50	50	60	60			
Voltage (V)	380	660	400	690	440	480	830
Speed (RPM)	1460	1460	1460	1460	1752	1752	1752
Connection	△	Y	△	Y	△	△	Y
Full load current (A)	22.34	12.86	21.23	12.31	22.34	20.46	11.79