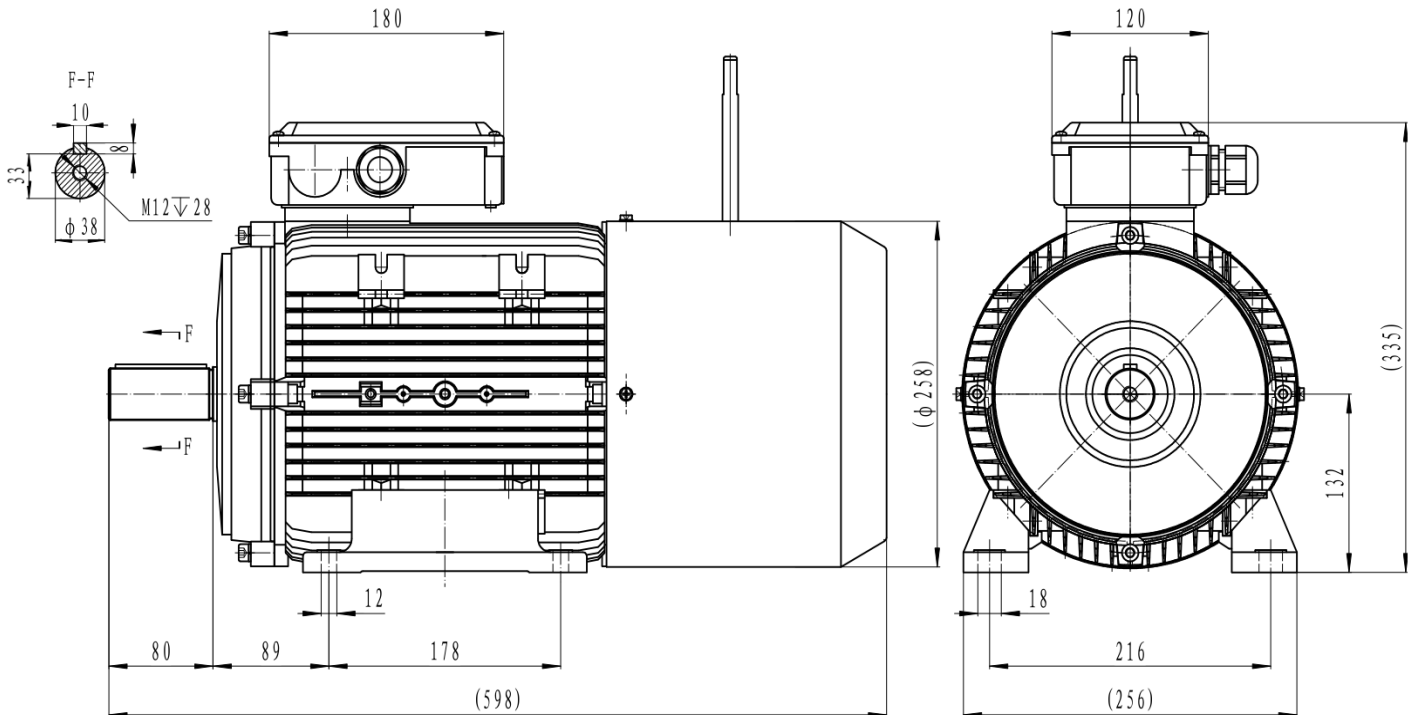


Three Phase Brake Motors-Aluminum Frame - PM1ADC132M4 B3



Type	PM1ADC132M4 PTC
Frame Size	132
Capacity	7.5kW
Speed / Pole	1450 RPM / 4 Pole
Mounting Position	IMB3
Insulation Class	F
Protection Class	IP55
Duty Cycle	S1 Continuous
Temperature Rise Class	B
Ambient temp. (°C)	40°C
Cooling method	IC411 self-Ventilated
Power Factor COS (phi)	84.00%
I-starting / I-nominal	7

Efficiency	IE1 Efficiency
T-starting / T-nominal	2.2
T-max/Tn	2.4
Full Load Torque	49.4Nm
Thermal protection	PTC thermistor
Noise	81 dB
Bearing DE	SKF 6308 ZXC3
Bearing NDE	SKF 6308 ZXC3
Weight (kg)	69.5
Brake	INTORQ BFK457-16
Brake input voltage	400V AC
Brake output voltage	180V DC
Brake torque	80Nm

Electrical data:

Rated Power (kW)	7.5		7.5		9		9	
Frequency (Hz)	50		50		60		60	
Voltage (V)	380	660	400	690	440	480	830	
Speed (RPM)	1450	1450	1450	1450	1740	1740	1740	
Connection	△	Y	△	Y	△	△	Y	
Full load current (A)	15.59	8.98	14.81	8.59	15.59	14.28	8.23	