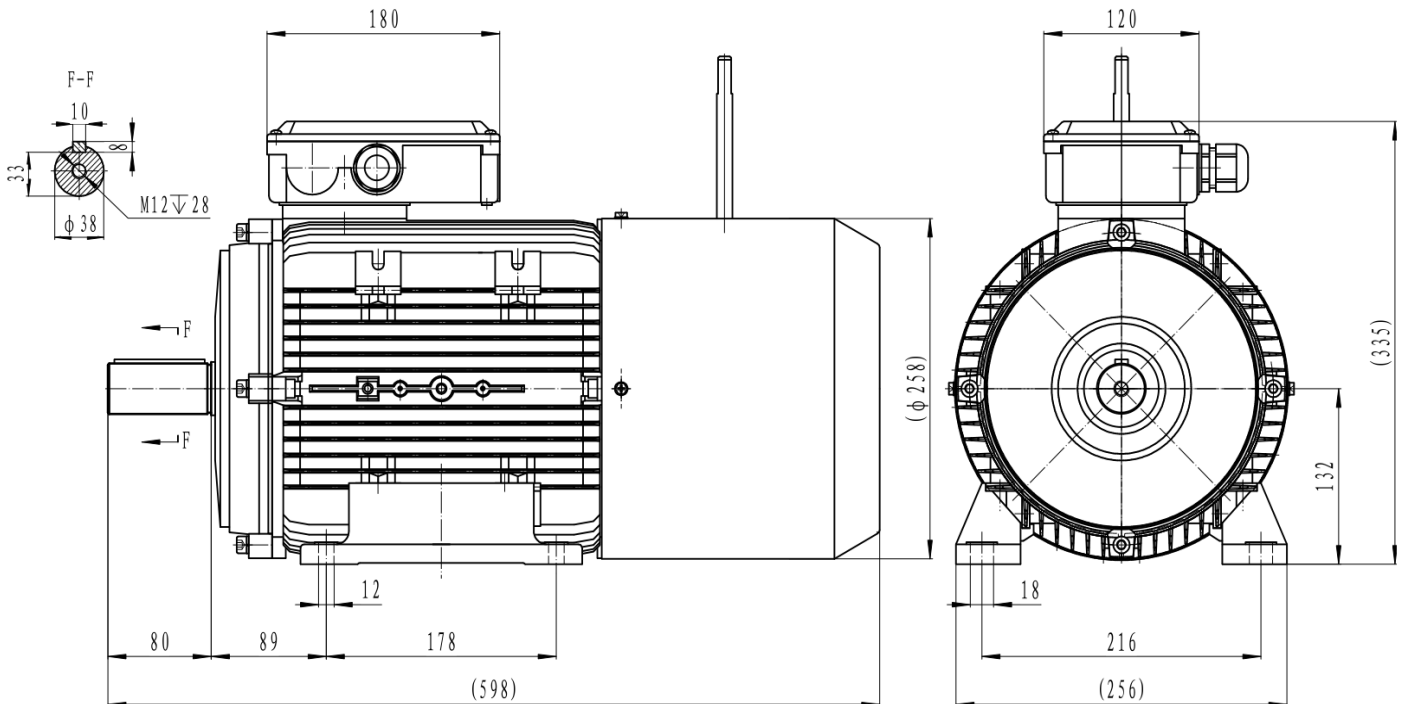


### Three Phase Brake Motors-Aluminum Frame - PM1ADC132MA6 B3



Type	PM1ADC132MA6 PTC
Frame Size	132
Capacity	4kW
Speed / Pole	960 RPM / 6 Pole
Mounting Position	IMB3
Insulation Class	F
Protection Class	IP55
Duty Cycle	S1 Continuous
Temperature Rise Class	B
Ambient temp. (°C)	40°C
Cooling method	IC411 self-Ventilated
Power Factor COS (phi)	76.00%
I-starting / I-nominal	6

Efficiency	IE1 Efficiency
T-starting / T-nominal	2
T-max/Tn	2
Full Load Torque	39.8Nm
Thermal protection	PTC thermistor
Noise	76 dB
Bearing DE	SKF 6308 ZXC3
Bearing NDE	SKF 6308 ZXC3
Weight (kg)	61.5
Brake	INTORQ BFK457-16
Brake input voltage	400V AC
Brake output voltage	180V DC
Brake torque	80Nm

#### Electrical data:

Rated Power (kW)	4		4		4.8		4.8	
Frequency (Hz)	50		50		60		60	
Voltage (V)	380	660	400	690	440	480	830	
Speed (RPM)	960	960	960	960	1152	1152	1152	
Connection	$\Delta$	Y	$\Delta$	Y	$\Delta$	$\Delta$	Y	
Full load current (A)	9.75	5.61	9.26	5.37	9.75	8.93	5.15	