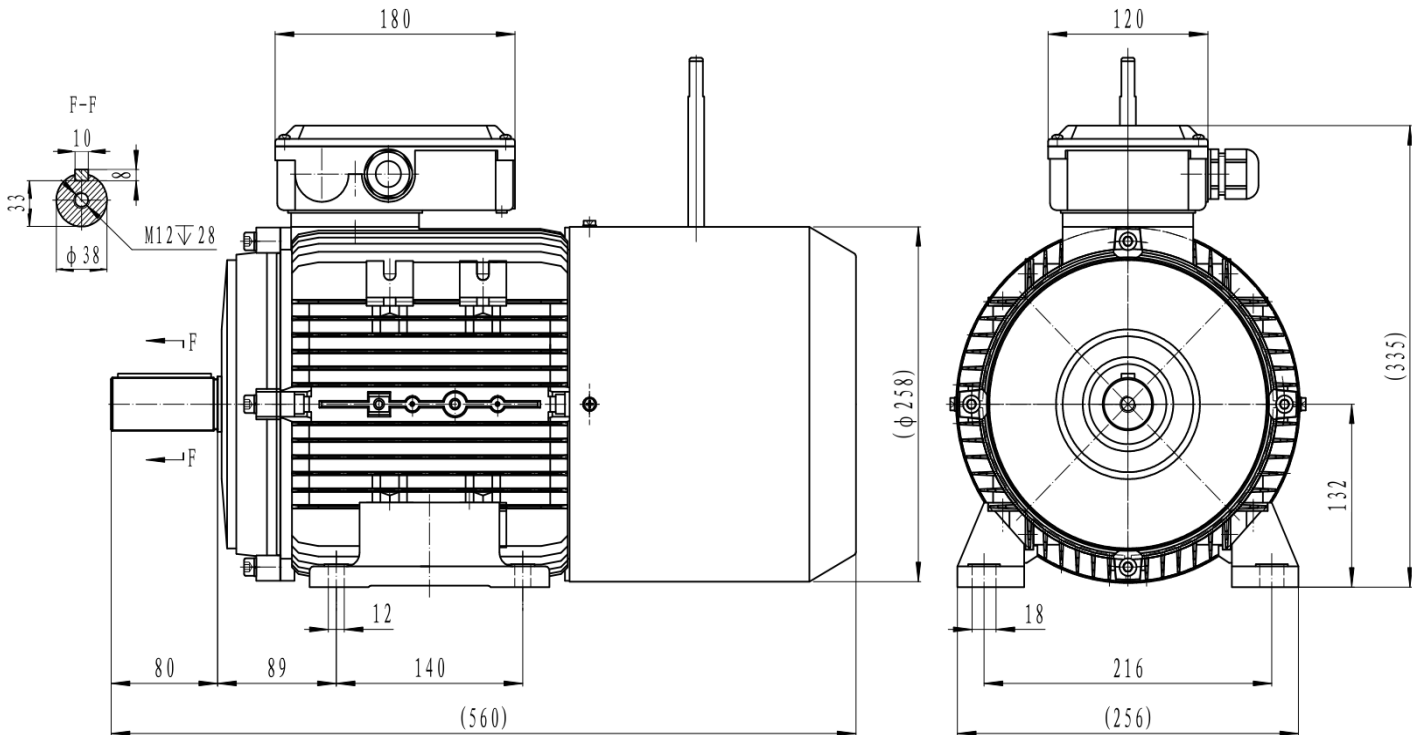


Three Phase Brake Motors-Aluminum Frame - PM1ADC132S6 B3



Type	PM1ADC132S6 PTC
Frame Size	132
Capacity	3kW
Speed / Pole	960 RPM / 6 Pole
Mounting Position	IMB3
Insulation Class	F
Protection Class	IP55
Duty Cycle	S1 Continuous
Temperature Rise Class	B
Ambient temp. (°C)	40°C
Cooling method	IC411 self-Ventilated
Power Factor COS (phi)	76.00%
I-starting / I-nominal	6

Efficiency	IE1 Efficiency
T-starting / T-nominal	2
T-max/Tn	2
Full Load Torque	29.84Nm
Thermal protection	PTC thermistor
Noise	76 dB
Bearing DE	SKF 6308 ZXC3
Bearing NDE	SKF 6308 ZXC3
Weight (kg)	49
Brake	INTORQ BFK457-16
Brake input voltage	230V AC
Brake output voltage	103V DC
Brake torque	80Nm

Electrical data:

Rated Power (kW)	3		3		3.6		3.6	
Frequency (Hz)	50		50		60		60	
Voltage (V)	220	380	230	400	250	440	265	460
Speed (RPM)	960	960	960	960	1152	1152	1152	1152
Connection	Δ	Y	Δ	Y	Δ	Y	Δ	Y
Full load current (A)	12.79	7.4	12.23	7.03	12.79	7.4	12.23	7.03