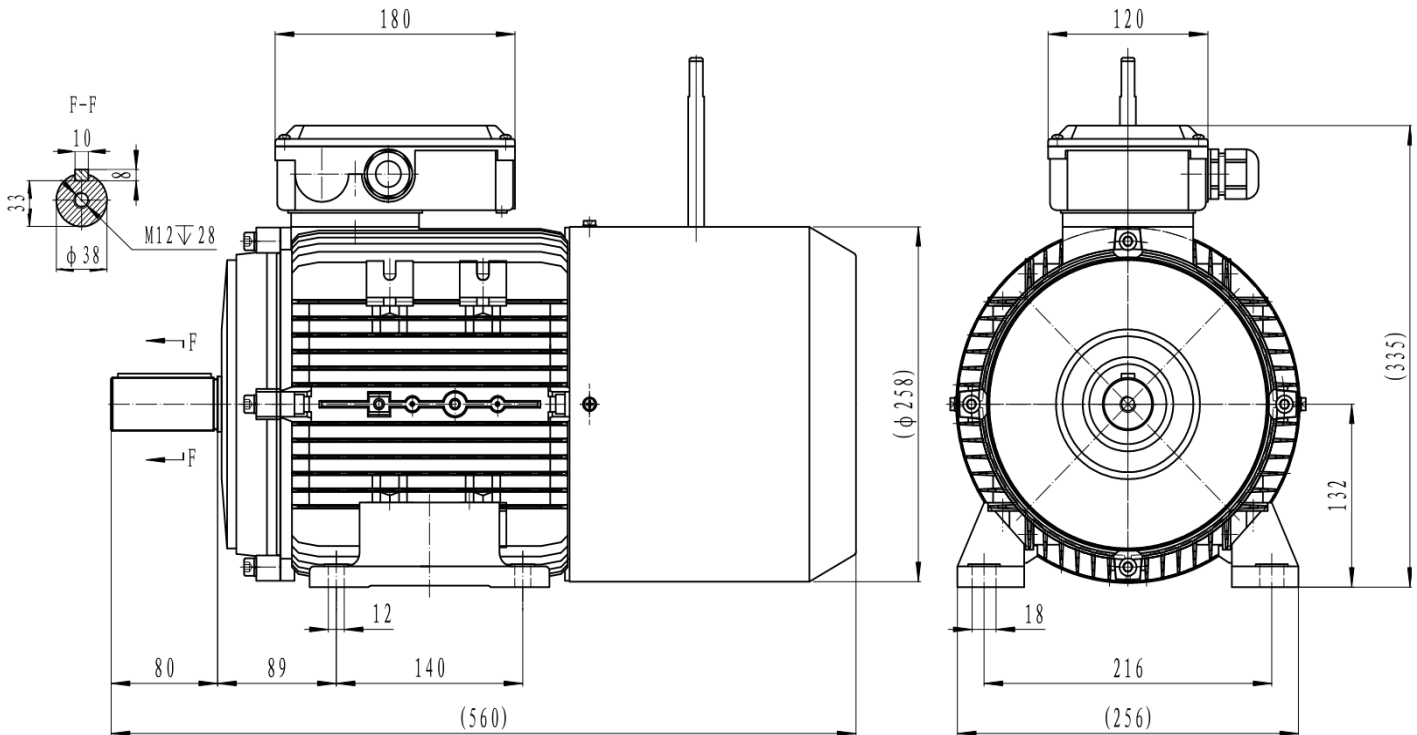


### Three Phase Brake Motors-Aluminum Frame - PM1ADC132SA2 B3



Type	PM1ADC132SA2 PTC
Frame Size	132
Capacity	5.5kW
Speed / Pole	2910 RPM / 2 Pole
Mounting Position	IMB3
Insulation Class	F
Protection Class	IP55
Duty Cycle	S1 Continuous
Temperature Rise Class	B
Ambient temp. (°C)	40°C
Cooling method	IC411 self-Ventilated
Power Factor COS (phi)	88.00%
I-starting / I-nominal	7

Efficiency	IE1 Efficiency
T-starting / T-nominal	2.5
T-max/Tn	2.7
Full Load Torque	18.05Nm
Thermal protection	PTC thermistor
Noise	85 dB
Bearing DE	SKF 6308 ZZC3
Bearing NDE	SKF 6308 ZZC3
Weight (kg)	54
Brake	INTORQ BFK457-16
Brake input voltage	400V AC
Brake output voltage	180V DC
Brake torque	80Nm

#### Electrical data:

Rated Power (kW)	5.5		5.5		6.6		6.6	
Frequency (Hz)	50		50		60		60	
Voltage (V)	380	660	400	690	440	480	830	
Speed (RPM)	2910	2910	2910	2910	3492	3492	3492	
Connection	△	Y	△	Y	△	△	Y	
Full load current (A)	11.04	6.36	10.49	6.08	11.04	10.11	5.83	