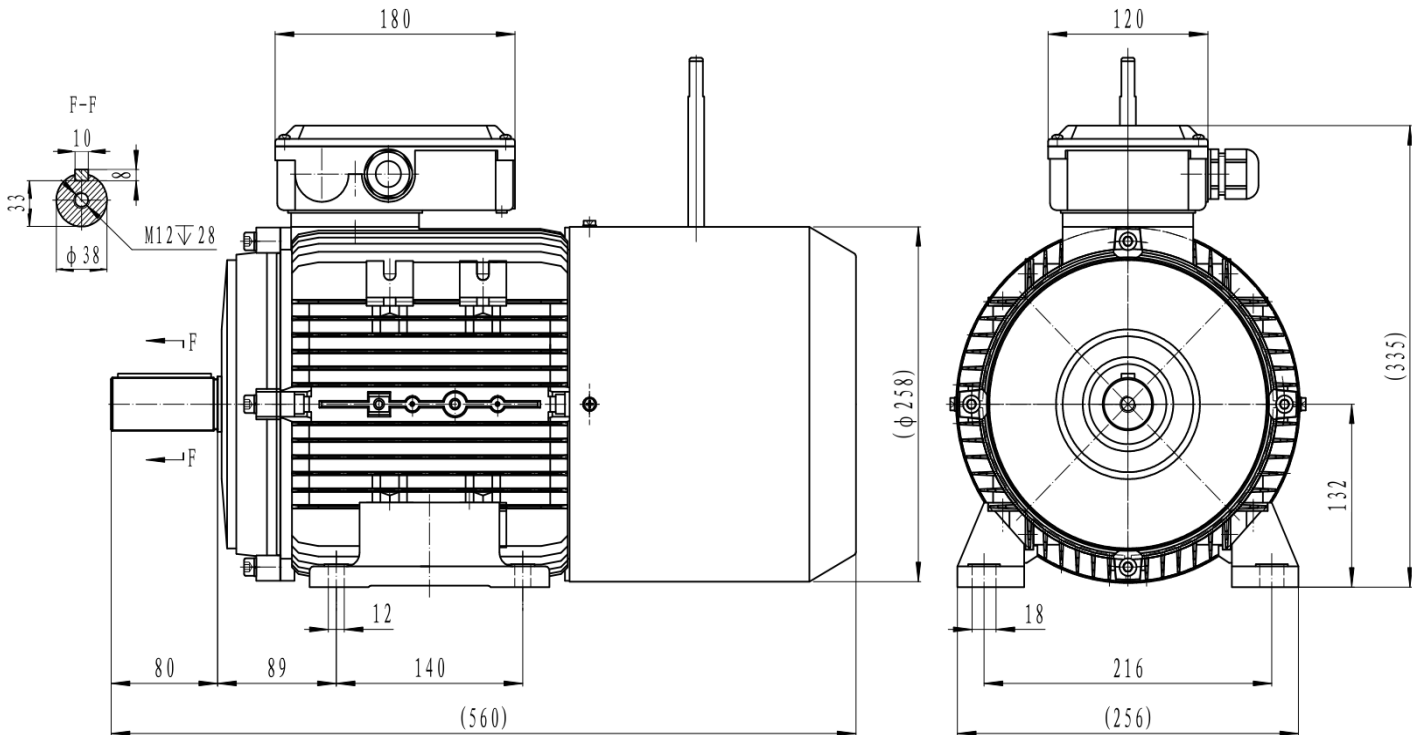


Three Phase Brake Motors-Aluminum Frame - PM1ADC132SB2 B3



Type	PM1ADC132SB2 PTC
Frame Size	132
Capacity	7.5kW
Speed / Pole	2900 RPM / 2 Pole
Mounting Position	IMB3
Insulation Class	F
Protection Class	IP55
Duty Cycle	S1 Continuous
Temperature Rise Class	B
Ambient temp. (°C)	40°C
Cooling method	IC411 self-Ventilated
Power Factor COS (phi)	88.00%
I-starting / I-nominal	7

Efficiency	IE1 Efficiency
T-starting / T-nominal	2.5
T-max/Tn	2.7
Full Load Torque	24.7Nm
Thermal protection	PTC thermistor
Noise	90 dB
Bearing DE	SKF 6308 ZZC3
Bearing NDE	SKF 6308 ZZC3
Weight (kg)	59
Brake	INTORQ BFK457-16
Brake input voltage	400V AC
Brake output voltage	180V DC
Brake torque	80Nm

Electrical data:

Rated Power (kW)	7.5		7.5		9		9	
Frequency (Hz)	50		50		60		60	
Voltage (V)	380	660	400	690	440	480	830	
Speed (RPM)	2900	2900	2900	2900	3480	3480	3480	
Connection	△	Y	△	Y	△	△	Y	
Full load current (A)	14.88	8.57	14.14	8.2	14.88	13.63	7.86	