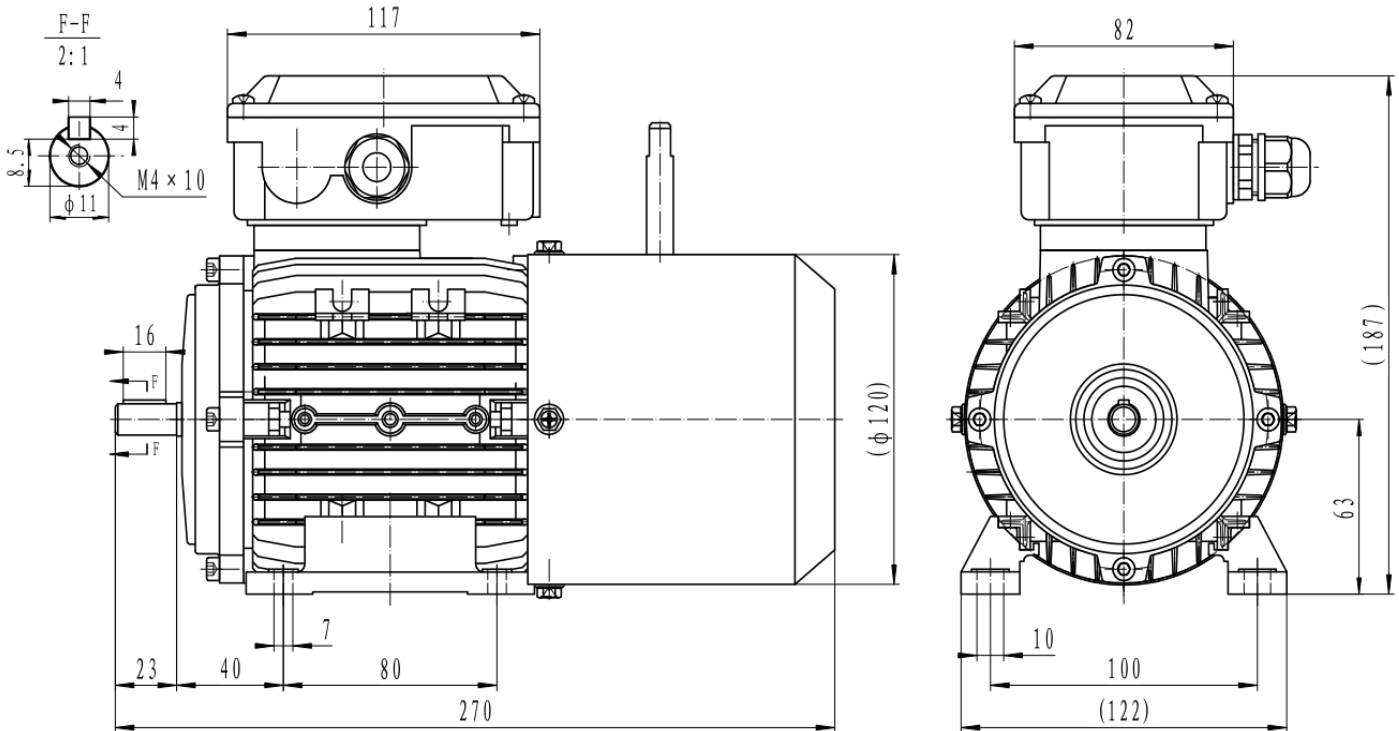


### Three Phase Brake Motors-Aluminum Frame - PM1ADC63A4 B3



|                        |                       |
|------------------------|-----------------------|
| Type                   | PM1ADC63A4 PTC        |
| Frame Size             | 63                    |
| Capacity               | 0.12kW                |
| Speed / Pole           | 1350 RPM / 4 Pole     |
| Mounting Position      | IMB3                  |
| Insulation Class       | F                     |
| Protection Class       | IP55                  |
| Duty Cycle             | S1 Continuous         |
| Temperature Rise Class | B                     |
| Ambient temp. (°C)     | 40°C                  |
| Cooling method         | IC411 self-Ventilated |
| Power Factor COS (phi) | 64.00%                |
| I-starting / I-nominal | 6                     |

|                        |                  |
|------------------------|------------------|
| Efficiency             | IE1 Efficiency   |
| T-starting / T-nominal | 2.2              |
| T-max/Tn               | 2.4              |
| Full Load Torque       | 0.85Nm           |
| Thermal protection     | PTC thermistor   |
| Noise                  | 62 dB            |
| Bearing DE             | SKF 6201 ZXC3    |
| Bearing NDE            | SKF 6201 ZXC3    |
| Weight (kg)            | 5.8              |
| Brake                  | INTORQ BFK457-06 |
| Brake input voltage    | 220/230V AC      |
| Brake output voltage   | 99/103V DC       |
| Brake torque           | 4Nm              |

#### Electrical data:

|                       |          |      |          |      |          |      |          |      |
|-----------------------|----------|------|----------|------|----------|------|----------|------|
| Rated Power (kW)      | 0.12     |      | 0.12     |      | 0.14     |      | 0.14     |      |
| Frequency (Hz)        | 50       |      | 50       |      | 60       |      | 60       |      |
| Voltage (V)           | 220      | 380  | 230      | 400  | 250      | 440  | 265      | 460  |
| Speed (RPM)           | 1350     | 1350 | 1350     | 1350 | 1620     | 1620 | 1620     | 1620 |
| Connection            | $\Delta$ | Y    | $\Delta$ | Y    | $\Delta$ | Y    | $\Delta$ | Y    |
| Full load current (A) | 0.89     | 0.51 | 0.85     | 0.49 | 0.89     | 0.51 | 0.85     | 0.49 |