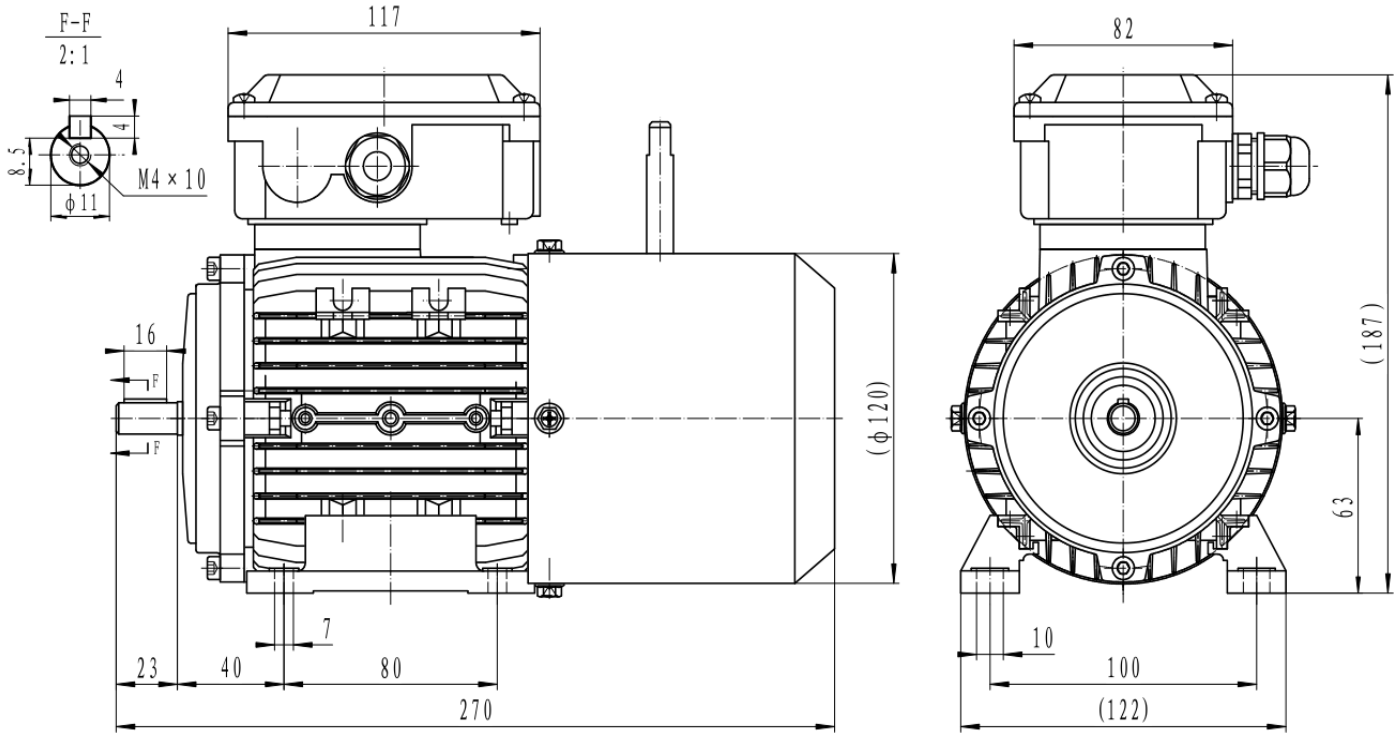


Three Phase Brake Motors-Aluminum Frame - PM1ADC63C4 B3



Type	PM1ADC63C4 PTC
Frame Size	63
Capacity	0.25kW
Speed / Pole	1350 RPM / 4 Pole
Mounting Position	IMB3
Insulation Class	F
Protection Class	IP55
Duty Cycle	S1 Continuous
Temperature Rise Class	B
Ambient temp. (°C)	40°C
Cooling method	IC411 self-Ventilated
Power Factor COS (phi)	74.00%
I-starting / I-nominal	6

Efficiency	IE1 Efficiency
T-starting / T-nominal	2.2
T-max/Tn	2.4
Full Load Torque	1.77Nm
Thermal protection	PTC thermistor
Noise	62 dB
Bearing DE	SKF 6201 ZXC3
Bearing NDE	SKF 6201 ZXC3
Weight (kg)	7.8
Brake	INTORQ BFK457-06
Brake input voltage	220/230V AC
Brake output voltage	99/103V DC
Brake torque	4Nm

Electrical data:

Rated Power (kW)	0.25		0.25		0.3		0.3	
Frequency (Hz)	50		50		60		60	
Voltage (V)	220	380	230	400	250	440	265	460
Speed (RPM)	1350	1350	1350	1350	1620	1620	1620	1620
Connection	△	Y	△	Y	△	Y	△	Y
Full load current (A)	1.36	0.79	1.3	0.75	1.36	0.79	1.3	0.75