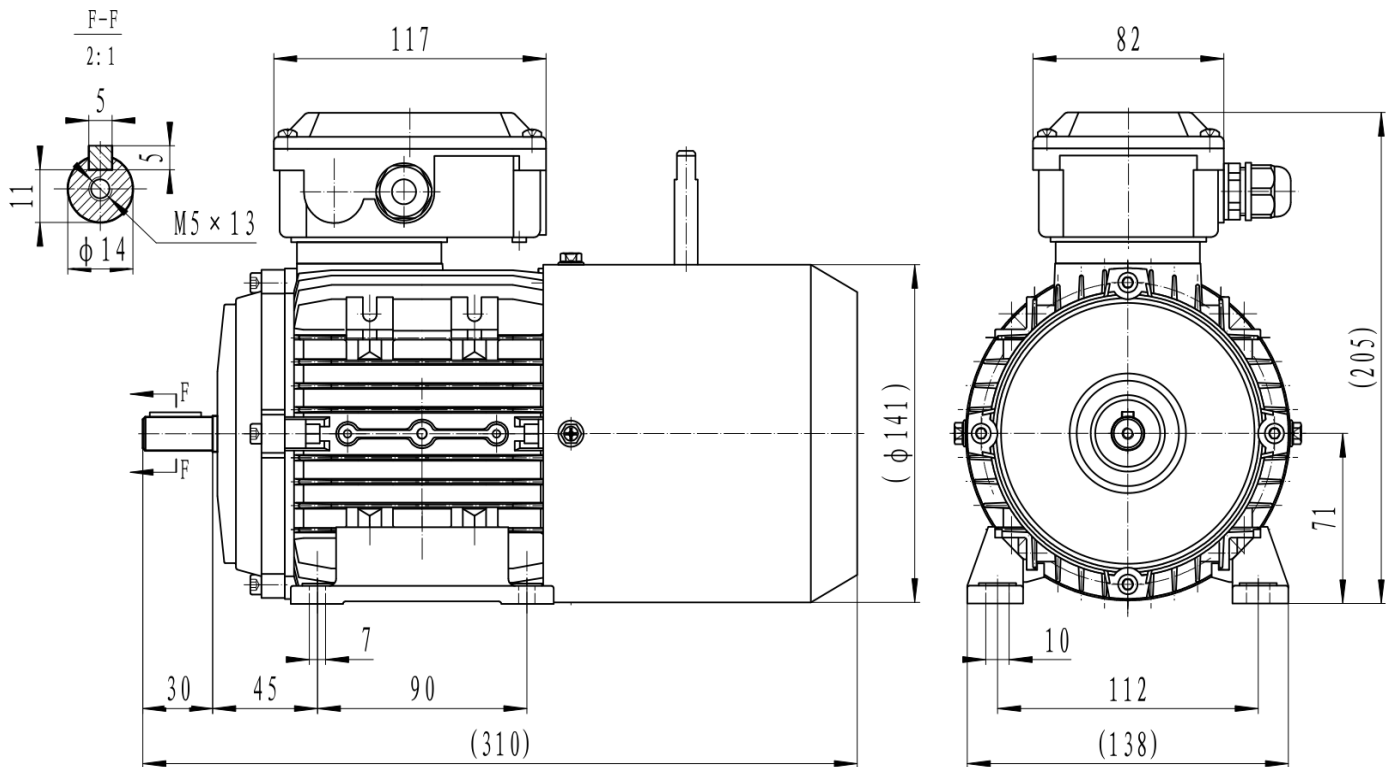


## Three Phase Brake Motors-Aluminum Frame - PM1ADC71B4 B3



Type	PM1ADC71B4 PTC
Frame Size	71
Capacity	0.37kW
Speed / Pole	1375 RPM / 4 Pole
Mounting Position	IMB3
Insulation Class	F
Protection Class	IP55
Duty Cycle	S1 Continuous
Temperature Rise Class	B
Ambient temp. (°C)	40°C
Cooling method	IC411 self-Ventilated
Power Factor COS (phi)	75.00%
I-starting / I-nominal	6

Efficiency	IE1 Efficiency
T-starting / T-nominal	2.2
T-max/Tn	2.4
Full Load Torque	2.57Nm
Thermal protection	PTC thermistor
Noise	68 dB
Bearing DE	SKF 6202 ZZC3
Bearing NDE	SKF 6202 ZZC3
Weight (kg)	9
Brake	INTORQ BFK457-06
Brake input voltage	230V AC
Brake output voltage	103V DC
Brake torque	4Nm

### Electrical data:

Rated Power (kW)	0.37		0.37		0.44		0.44	
Frequency (Hz)	50		50		60		60	
Voltage (V)	220	380	230	400	250	440	265	460
Speed (RPM)	1375	1375	1375	1375	1650	1650	1650	1650
Connection	△	Y	△	Y	△	Y	△	Y
Full load current (A)	1.93	1.12	1.85	1.06	1.93	1.12	1.85	1.06