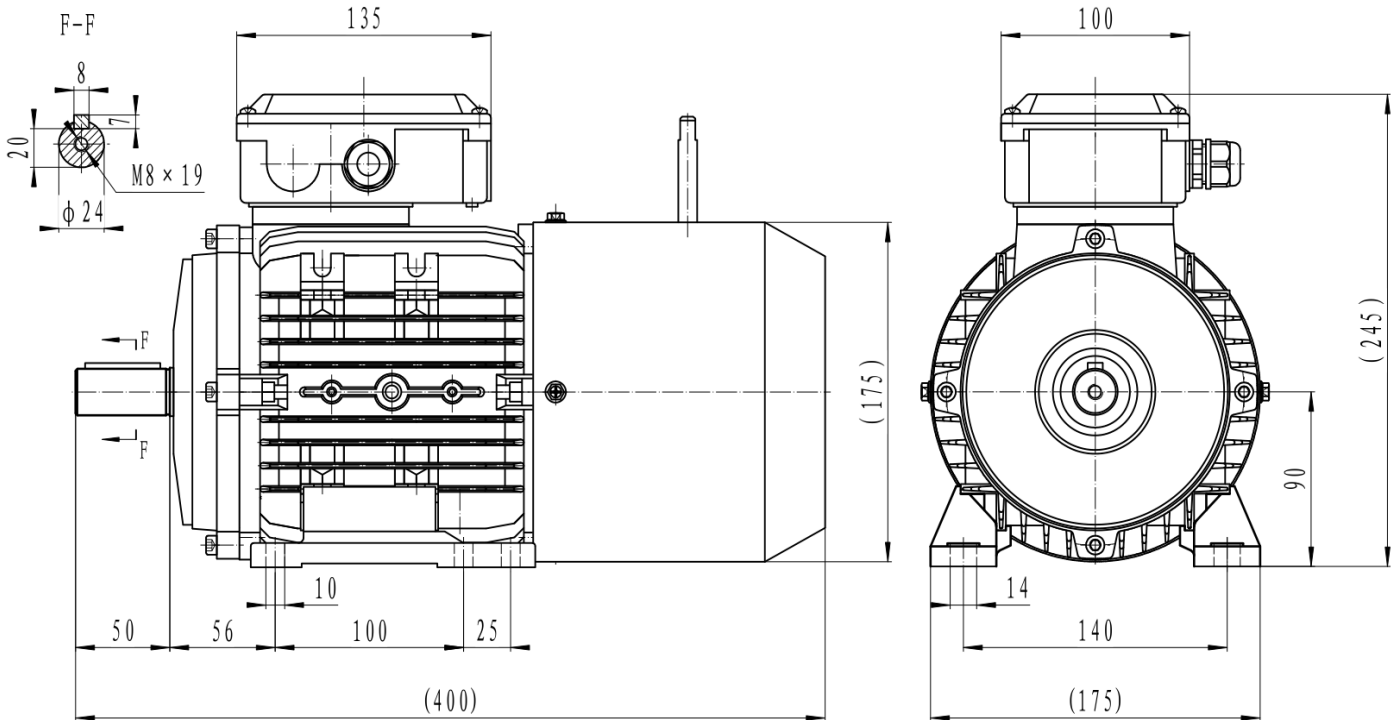


## Three Phase Brake Motors-Aluminum Frame - PM1ADC90L4 B3



|                        |                       |
|------------------------|-----------------------|
| Type                   | PM1ADC90L4 PTC        |
| Frame Size             | 90                    |
| Capacity               | 1.5kW                 |
| Speed / Pole           | 1400 RPM / 4 Pole     |
| Mounting Position      | IMB3                  |
| Insulation Class       | F                     |
| Protection Class       | IP55                  |
| Duty Cycle             | S1 Continuous         |
| Temperature Rise Class | B                     |
| Ambient temp. (°C)     | 40°C                  |
| Cooling method         | IC411 self-Ventilated |
| Power Factor COS (phi) | 79.00%                |
| I-starting / I-nominal | 6                     |

|                        |                  |
|------------------------|------------------|
| Efficiency             | IE1 Efficiency   |
| T-starting / T-nominal | 2.2              |
| T-max/Tn               | 2.4              |
| Full Load Torque       | 10.23Nm          |
| Thermal protection     | PTC thermistor   |
| Noise                  | 71 dB            |
| Bearing DE             | SKF 6205 ZXC3    |
| Bearing NDE            | SKF 6204 ZXC3    |
| Weight (kg)            | 21.5             |
| Brake                  | INTORQ BFK457-10 |
| Brake input voltage    | 230V AC          |
| Brake output voltage   | 103V DC          |
| Brake torque           | 16Nm             |

### Electrical data:

|                       |      |      |      |      |      |      |      |      |
|-----------------------|------|------|------|------|------|------|------|------|
| Rated Power (kW)      | 1.5  |      | 1.5  |      | 1.8  |      | 1.8  |      |
| Frequency (Hz)        | 50   |      | 50   |      | 60   |      | 60   |      |
| Voltage (V)           | 220  | 380  | 230  | 400  | 250  | 440  | 265  | 460  |
| Speed (RPM)           | 1400 | 1400 | 1400 | 1400 | 1680 | 1680 | 1680 | 1680 |
| Connection            | △    | Y    | △    | Y    | △    | Y    | △    | Y    |
| Full load current (A) | 6.39 | 3.7  | 6.11 | 3.51 | 6.39 | 3.7  | 6.11 | 3.51 |