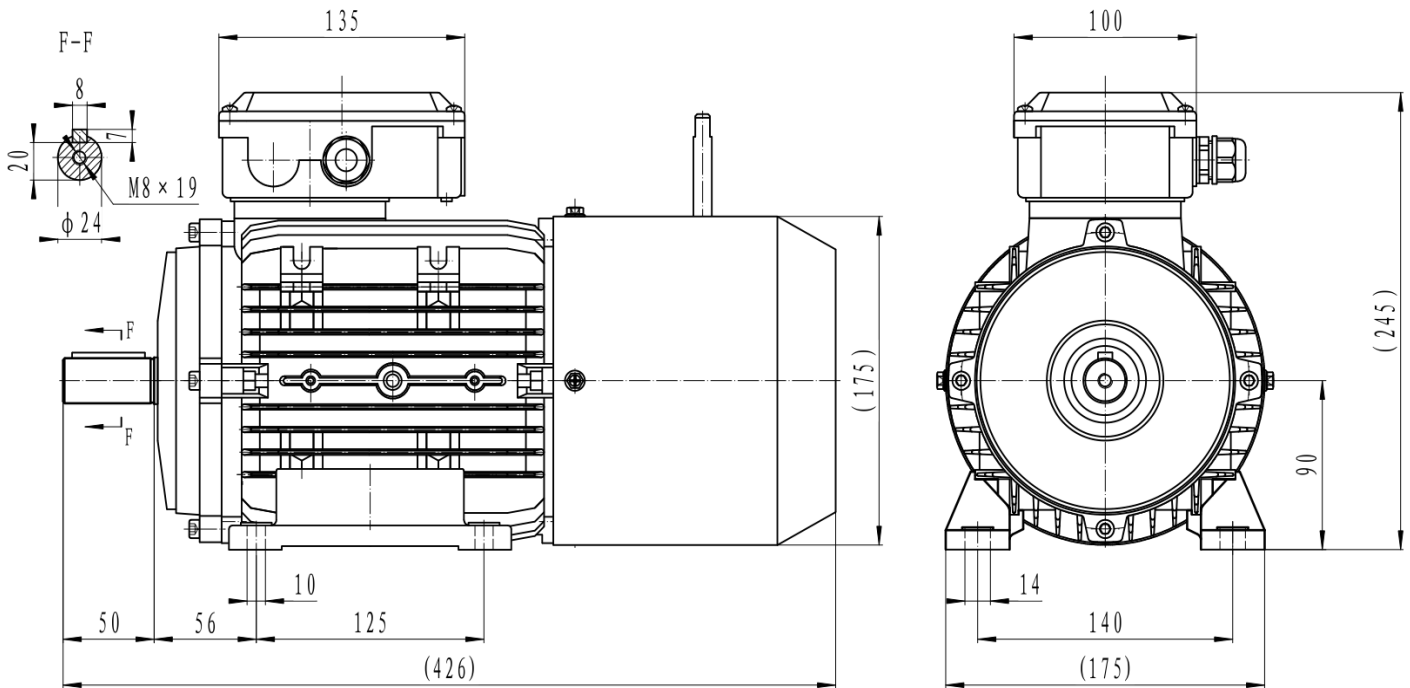


Three Phase Brake Motors-Aluminum Frame - PM1ADC90LA2 B3



Type	PM1ADC90LA2 PTC
Frame Size	90
Capacity	3kW
Speed / Pole	2800 RPM / 2 Pole
Mounting Position	IMB3
Insulation Class	F
Protection Class	IP55
Duty Cycle	S1 Continuous
Temperature Rise Class	B
Ambient temp. (°C)	40°C
Cooling method	IC411 self-Ventilated
Power Factor COS (phi)	87.00%
I-starting / I-nominal	6

Efficiency	IE1 Efficiency
T-starting / T-nominal	2.2
T-max/Tn	2.4
Full Load Torque	10.23Nm
Thermal protection	PTC thermistor
Noise	85 dB
Bearing DE	SKF 6205 ZZC3
Bearing NDE	SKF 6204 ZZC3
Weight (kg)	24
Brake	INTORQ BFK457-10
Brake input voltage	230V AC
Brake output voltage	103V DC
Brake torque	16Nm

Electrical data:

Rated Power (kW)	3		3		3.6		3.6	
Frequency (Hz)	50		50		60		60	
Voltage (V)	220	380	230	400	250	440	265	460
Speed (RPM)	2800	2800	2800	2800	3360	3360	3360	3360
Connection	Δ	Y	Δ	Y	Δ	Y	Δ	Y
Full load current (A)	10.9	6.31	10.43	6	10.9	6.31	10.43	6