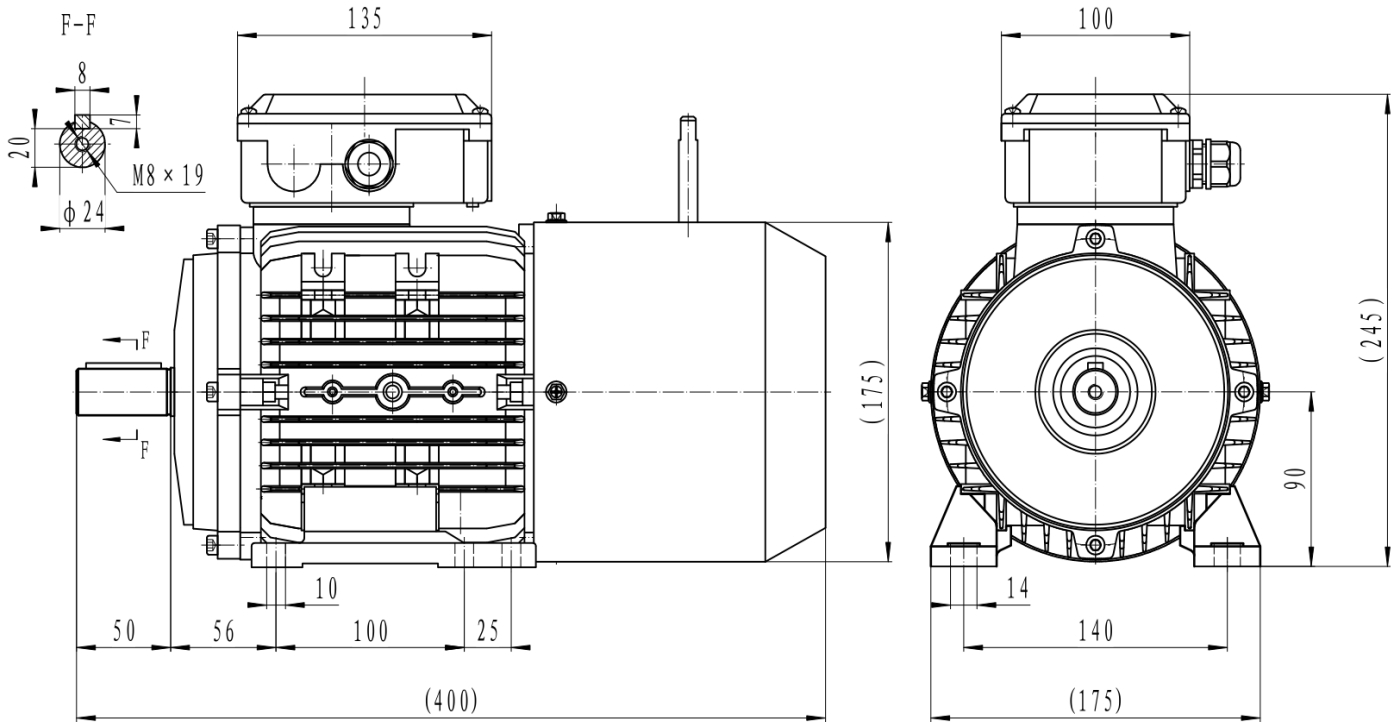


Three Phase Brake Motors-Aluminum Frame - PM1ADC90S6 B3



Type	PM1ADC90S6 PTC
Frame Size	90
Capacity	0.75kW
Speed / Pole	930 RPM / 6 Pole
Mounting Position	IMB3
Insulation Class	F
Protection Class	IP55
Duty Cycle	S1 Continuous
Temperature Rise Class	B
Ambient temp. (°C)	40°C
Cooling method	IC411 self-Ventilated
Power Factor COS (phi)	72.00%
I-starting / I-nominal	6

Efficiency	IE1 Efficiency
T-starting / T-nominal	2
T-max/Tn	2
Full Load Torque	7.7Nm
Thermal protection	PTC thermistor
Noise	63 dB
Bearing DE	SKF 6205 ZXC3
Bearing NDE	SKF 6204 ZXC3
Weight (kg)	17.5
Brake	INTORQ BFK457-10
Brake input voltage	230V AC
Brake output voltage	103V DC
Brake torque	16Nm

Electrical data:

Rated Power (kW)	0.75		0.75		0.9		0.9	
Frequency (Hz)	50		50		60		60	
Voltage (V)	220	380	230	400	250	440	265	460
Speed (RPM)	930	930	930	930	1116	1116	1116	1116
Connection	Δ	Y	Δ	Y	Δ	Y	Δ	Y
Full load current (A)	3.96	2.29	3.79	2.18	3.96	2.29	3.79	2.18